

305338 D Angular contact ball bearings, double row

Angular contact ball bearings, double row

Bearing data

[Tolerances](#),

Normal, P6, P5,

[Internal clearance](#),

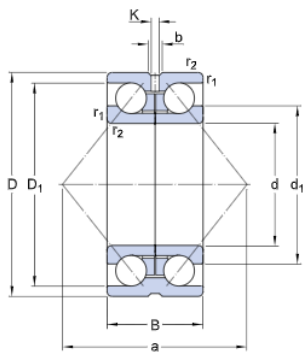
table, drawing no

Bearing interfaces

[Seat tolerances for standard conditions](#),

[Tolerances and resultant fit](#)

Technical specification

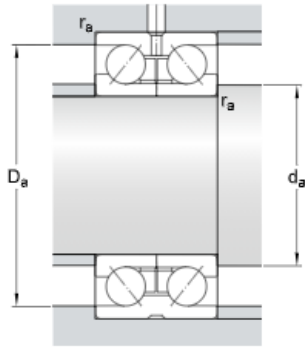


DIMENSIONS

d	190 mm	Bore diameter
D	269.5 mm	Outside diameter
B	66 mm	Width
d ₁	≈ 218 mm	Shoulder diameter inner ring for two-piece inner ring
D ₁	≈ 249.8 mm	Shoulder diameter outer ring
b	11.1 mm	Width annular lubrication groove at outer ring
K	6 mm	Diameter lubrication hole (outer ring)
r _{1,2}	min. 2.1 mm	Chamfer dimension inner ring for two-piece inner ring
a	177 mm	Distance pressure point(s)

ABUTMENT DIMENSIONS

d _a min.	195 mm	Abutment diameter shaft
D _i max.	248 mm	Abutment diameter housing
r _a max.	2.1 mm	Fillet radius



CALCULATION DATA

C	270 kN	Basic dynamic load rating
C_0	415 kN	Basic static load rating
P_u	11.6 kN	Fatigue load limit
	2 200 r/min	Reference speed
	2 400 r/min	Limiting speed
k_r	0.095	Calculation factor
e	0.86	Calculation factor
X	0.62	Calculation factor
Y_0	0.63	Calculation factor
Y_1	0.73	Calculation factor
Y_2	1.17	Calculation factor

MASS

	11 kg	Mass bearing
--	-------	--------------